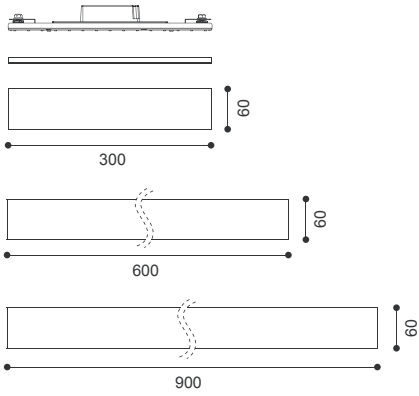


## CHANNEL – P



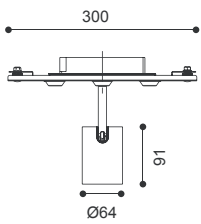
### Product performance

IP20

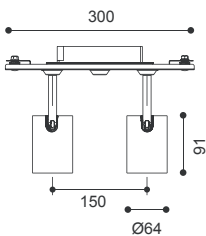
CHANNEL-P3	LED Consumption	Voltage	Lumen
1617.400A	15W	100-240V AC	806 (lm)
1617.400A-V	15W	100-240V AC	806 (lm)
CHANNEL-P6	LED Consumption	Voltage	Lumen
1617.400B	30W	100-240V AC	1612 (lm)
1617.400B-V	30W	100-240V AC	1612 (lm)
CHANNEL-P9	LED Consumption	Voltage	Lumen
1617.400C	45W	100-240V AC	2418 (lm)

## CHANNEL – S

### CHANNEL-S1



### CHANNEL-S2

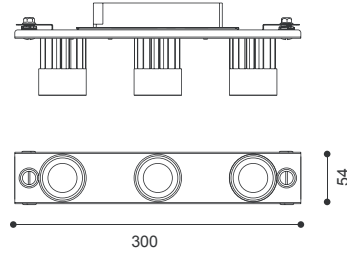


### Product performance

IP20

CHANNEL-S1	LED Consumption	Voltage	Lumen
1617.403A	13W X1	100-240V AC	1329 (lm)X1
1617.403A-V	13W X1	100-240V AC	1329 (lm)X1
CHANNEL-S2	LED Consumption	Voltage	Lumen
1617.403B	13W X2	100-240V AC	1329 (lm)X2
1617.403B-V	13W X2	100-240V AC	1329 (lm)X2

## CHANNEL – G



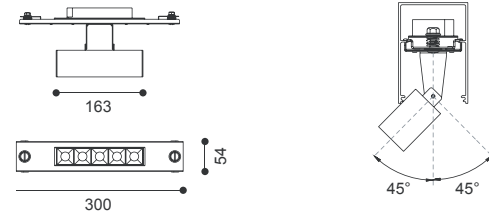
### Product performance

IP20

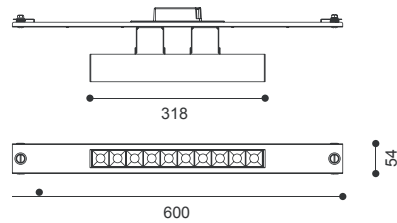
CHANNEL-G	LED Consumption	Voltage	Lumen
1617.402	8.9W X3	100-240V AC	872 (lm)X3
1617.402-V	8.9W X3	100-240V AC	872 (lm)X3

## CHANNEL – K

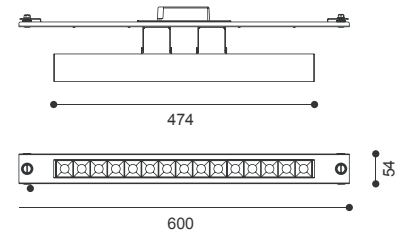
### CHANNEL-K5



### CHANNEL-K10



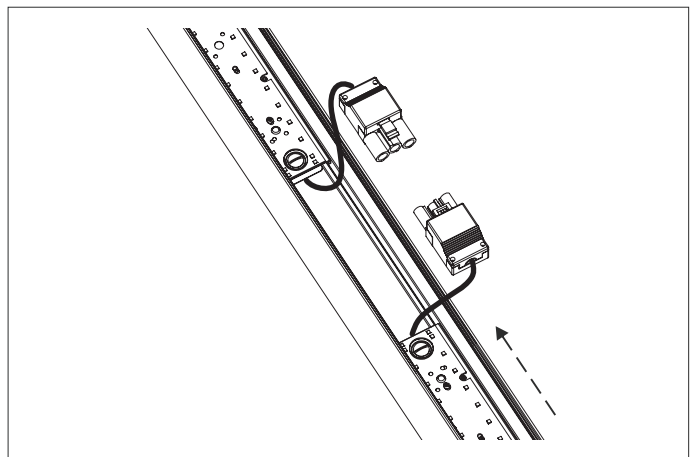
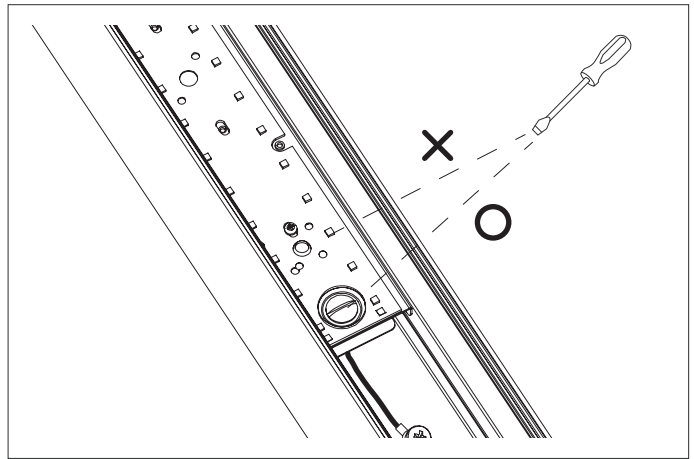
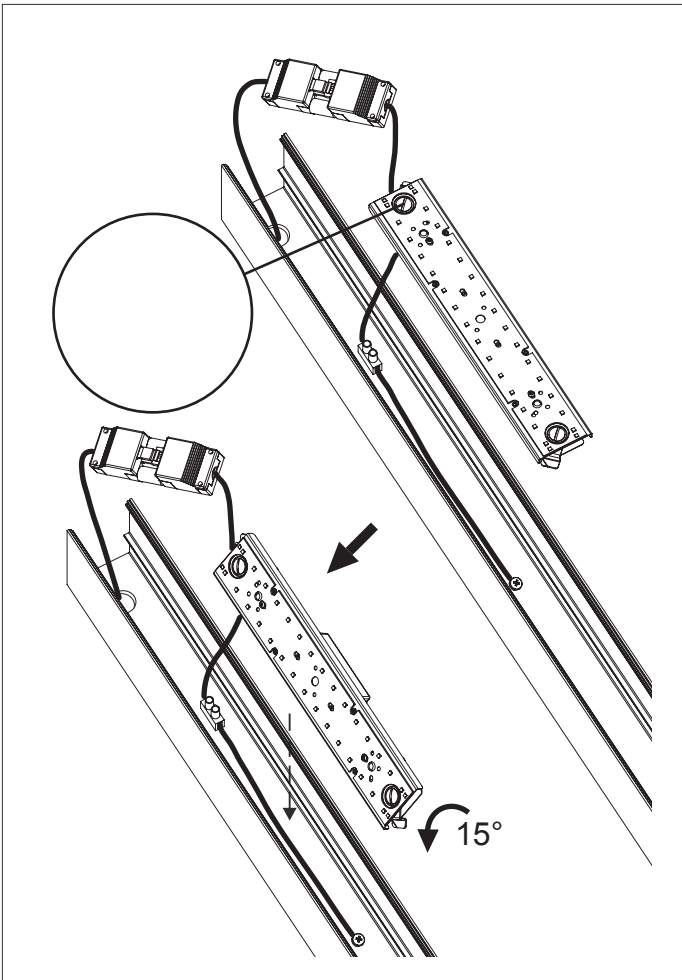
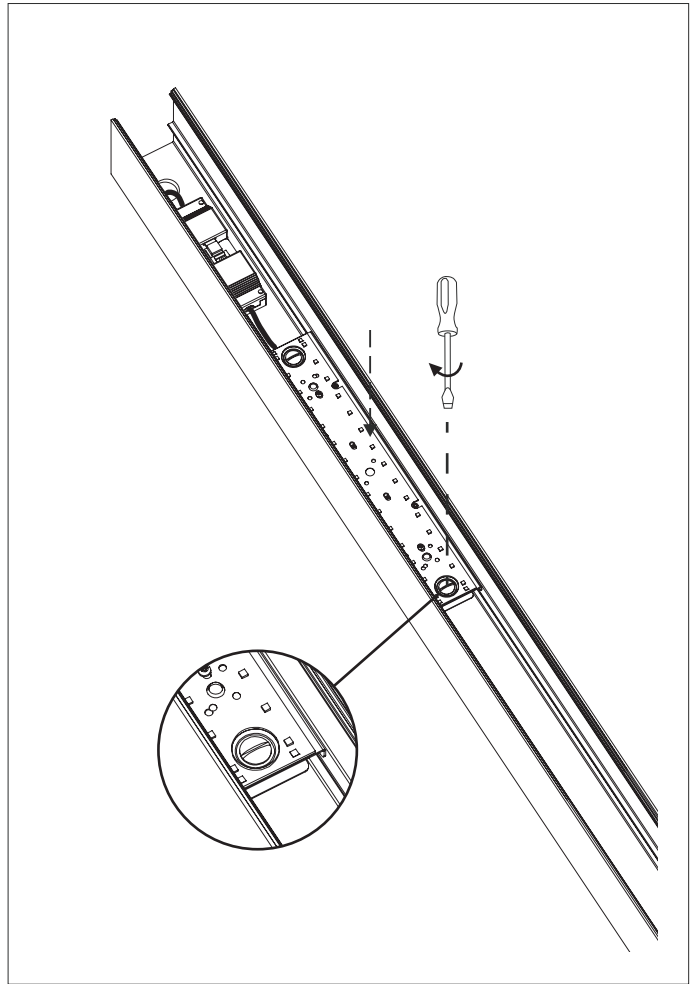
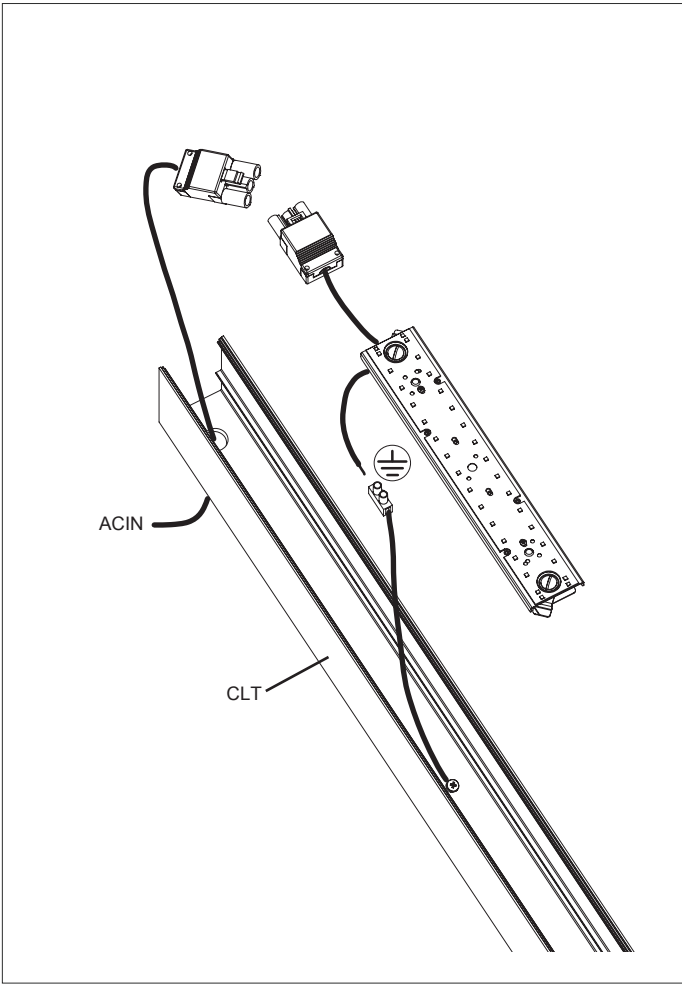
### CHANNEL-K15

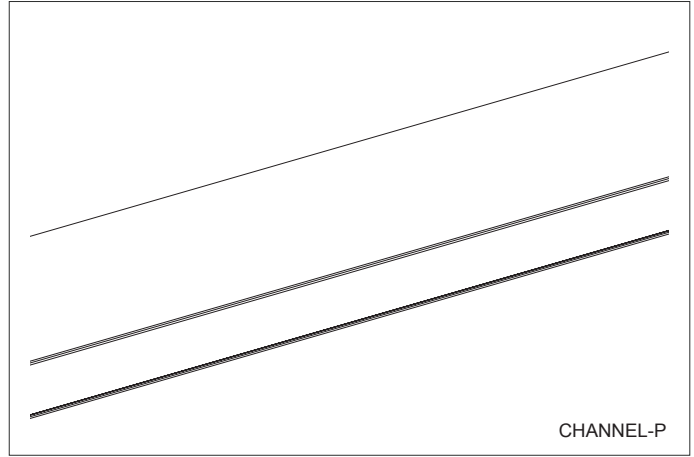
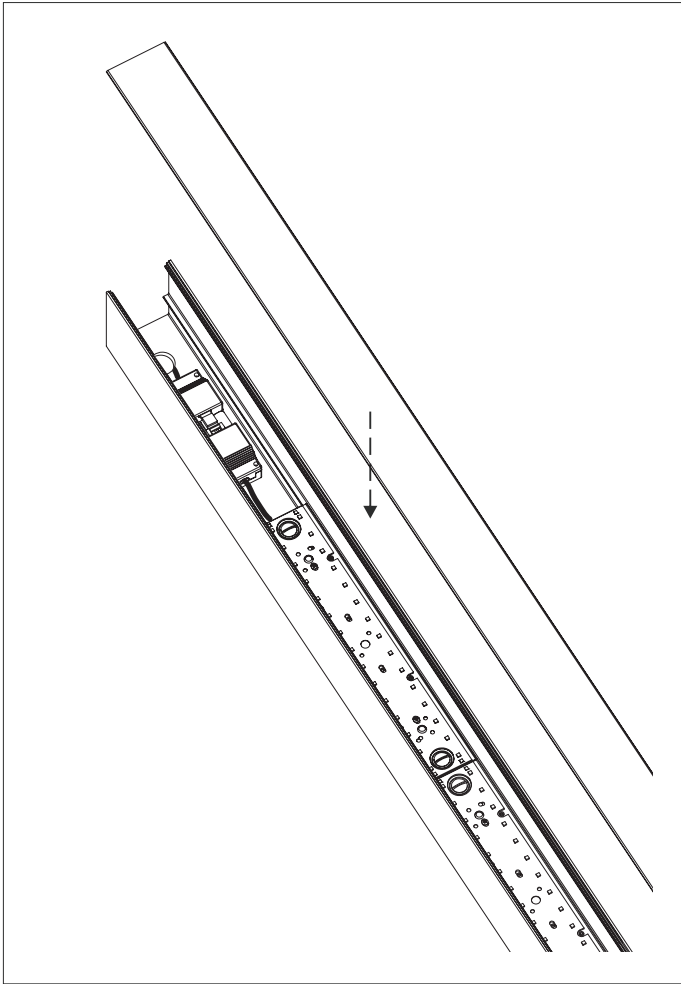


### Product performance

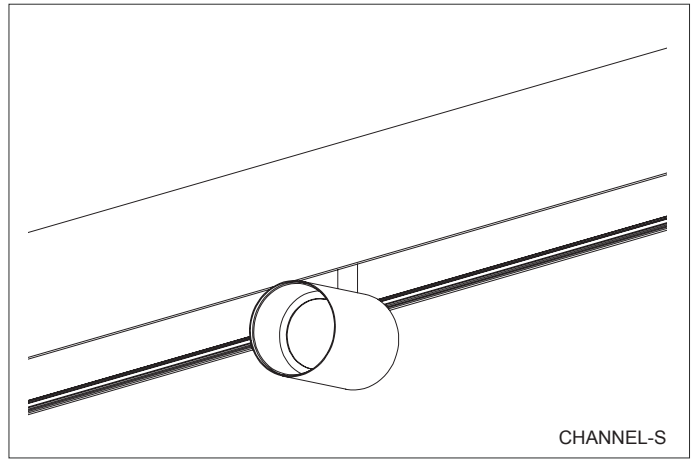
IP 20

CHANNEL-K5	LED Consumption	Voltage	Lumen
1617.404A	11W	100-240V AC	200 (lm)X5
CHANNEL-K10	LED Consumption	Voltage	Lumen
1617.404B	22W	100-240V AC	200 (lm)X10
1617.404B-V	22W	100-240V AC	200 (lm)X10
CHANNEL-K15	LED Consumption	Voltage	Lumen
1617.404C	33W	100-240V AC	200 (lm)X15
1617.404C-V	33W	100-240V AC	200 (lm)X15





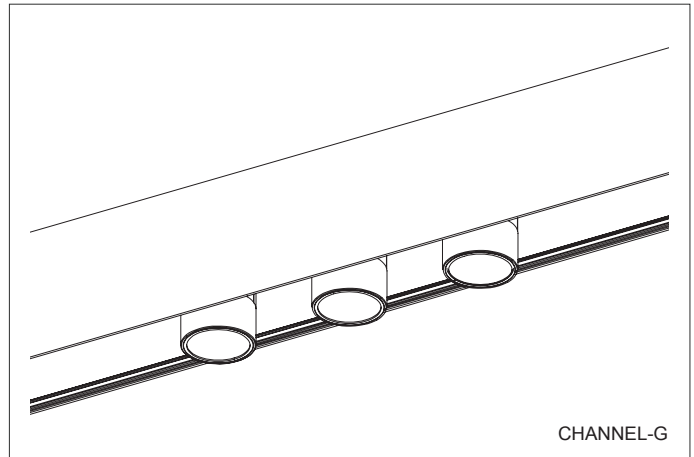
CHANNEL-P



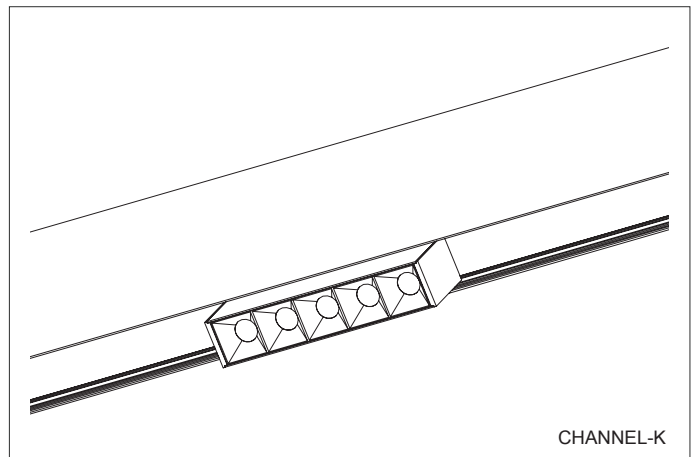
CHANNEL-S

**Channel connector is max 7A.**

	110Vac Max linkable	220Vac Max linkable
1617.400A	46pcs	92pcs
1617.400A-V		
1617.400B	22pcs	44pcs
1617.400B-V		
1617.400C	15pcs	30pcs
1617.403A	53pcs	106pcs
1617.403A-V		
1617.403B	26pcs	52pcs
1617.403B-V		
1617.402	25pcs	50pcs
1617.402-V		
1617.404A	63pcs	126pcs
1617.404B	31pcs	62pcs
1617.404B-V		
1617.404C	20pcs	40pcs
1617.404C-V		



CHANNEL-G



CHANNEL-K