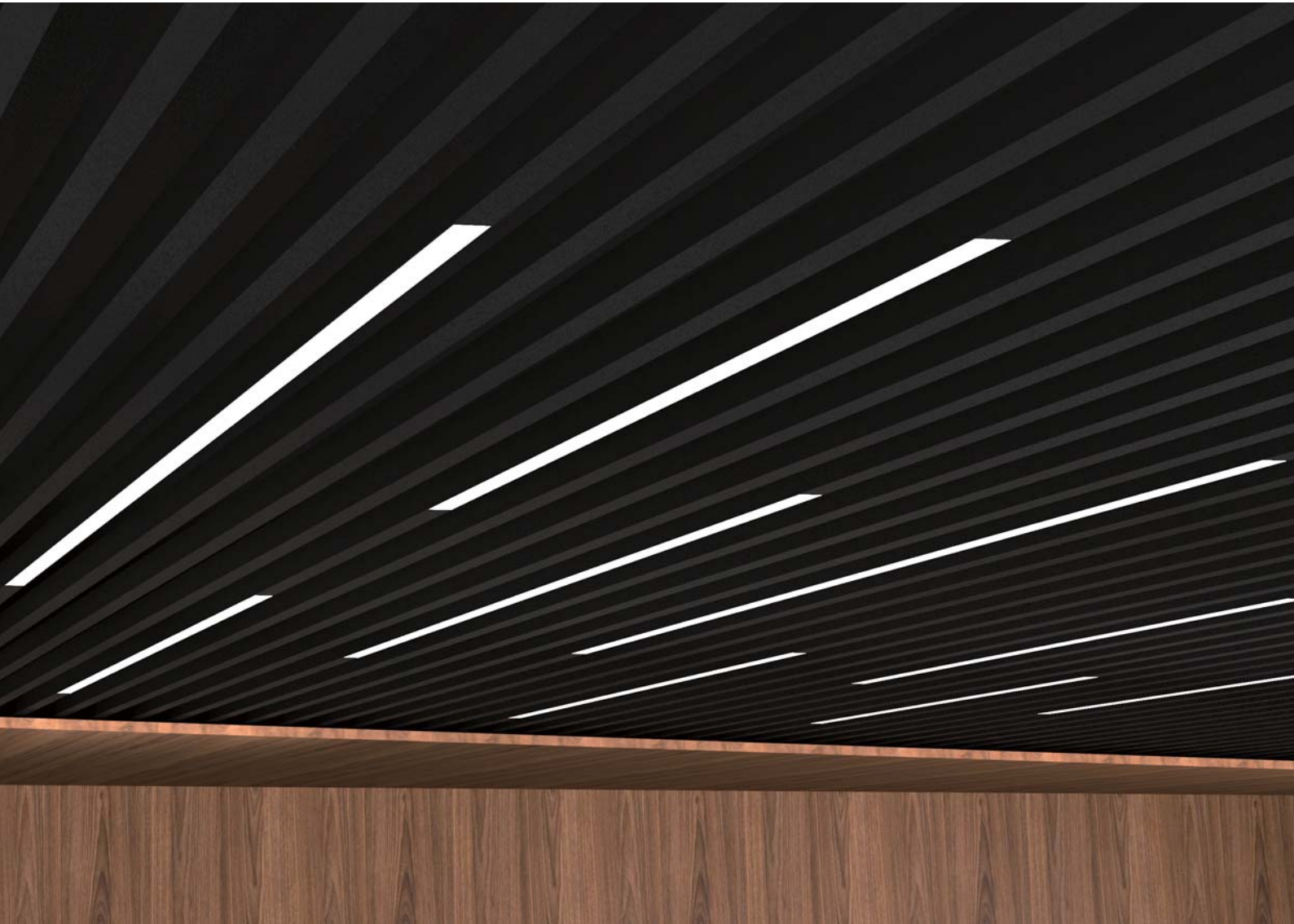




CHANNEL system



CHANNEL

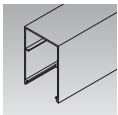
Revolutionary connecting system combining with interior building material, offering a new concept of lighting. With it's specially designed mechanism, allowing the fixtures to connect with 0-10V systems. (3 wires for standard lighting, 5 wires for 0-10V control systems)

Unique designed spot, wallwash, panel and downlight modules are available for multitasking lighting requirement to the area.

Plug and play module design for easy installation and maintenance.

CHANNEL

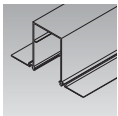
CHANNEL PROFILE



CLT

Surface mounted & Pendant profile

P.47




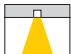






CLR

Recessed profile

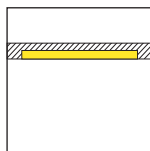
P.47

CHANNEL MODULES

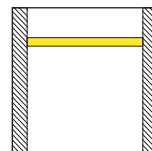
| Image | Image | Series name | LED Consumption | Lumen | Page |
|---|---|-------------|-------------------|-------------------------------------|------|
|  |  | CHANNEL-P | 15W 30W 45W | 806 (lm) 1612 (lm) 2418 (lm) | P.53 |
|  |  | CHANNEL-G | 8.1W X3 | 973 (lm)X3 | P.55 |
|  |  | CHANNEL-S | 12.8WX2 | 1387 (lm)X2 | P.57 |
|  |  | CHANNEL-K | 11W 22W 33W | 1000 (lm) 2000 (lm) 3000 (lm) | P.59 |



Recessed



Wall mounted



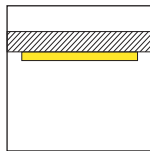
CHANNEL

Can be recessed, surface or hang mounted from the ceiling and wall. Suitable for open ceiling interior environment.

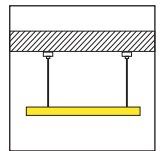
The LED fixtures are designed with simple linear style, each series perform its own function, making lighting design easier than ever.

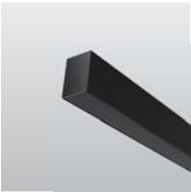


Surface mounted



Pendant





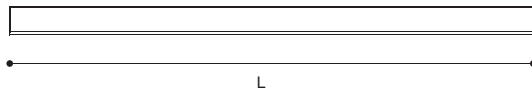
Aluminum profile section without LED module can be used as building material.



LED module can be installed and shift easily to light up the required space.

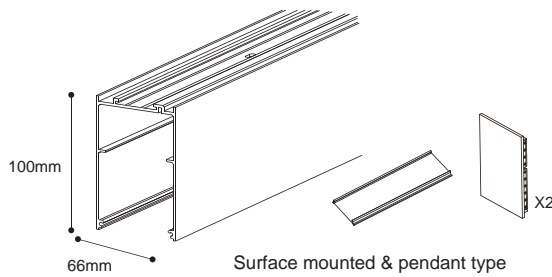
CHANNEL

Profile section

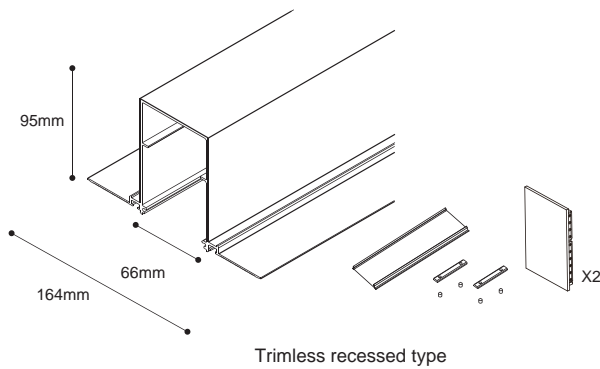


Product performance

Colours
Black White



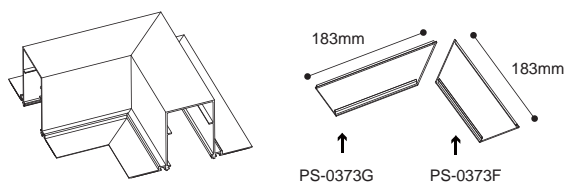
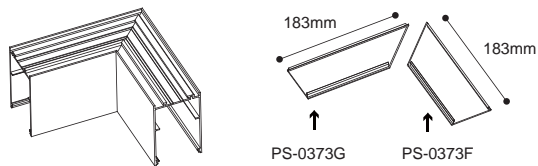
| Article number | L | weight |
|----------------|--------|--------|
| CLT-06-72 | 1828mm | 2.96KG |
| CLT-06-96 | 2438mm | 3.95KG |
| CLT-06-120 | 3048mm | 4.94KG |



| Article number | L | weight |
|----------------|--------|--------|
| CLR-06-72 | 1828mm | 3.48KG |
| CLR-06-96 | 2438mm | 4.64KG |
| CLR-06-120 | 3048mm | 5.86KG |

L Corner

Colours
Black White

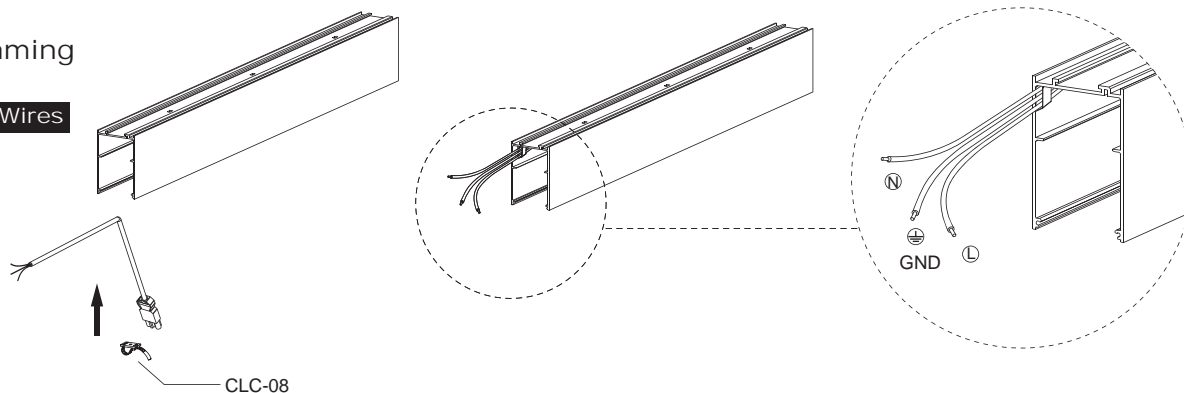


CHANNEL

Installation

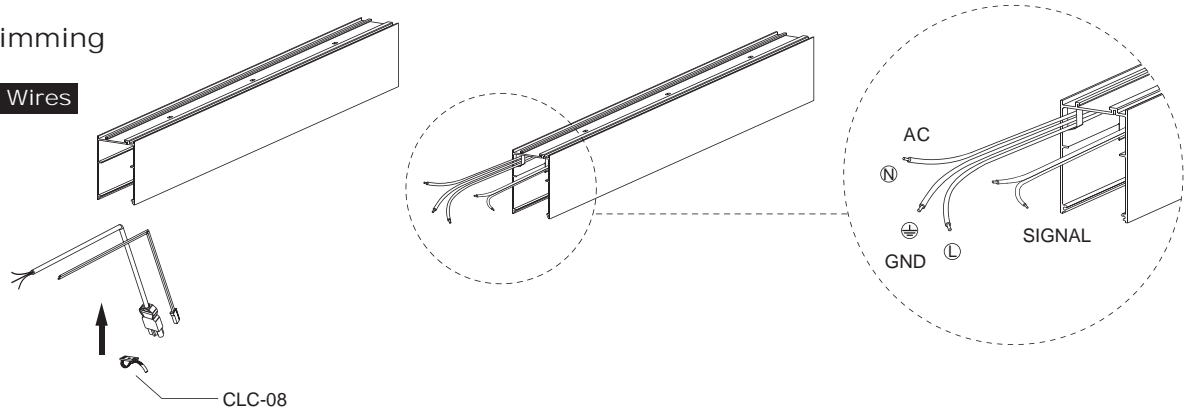
Triac dimming

3 Wires



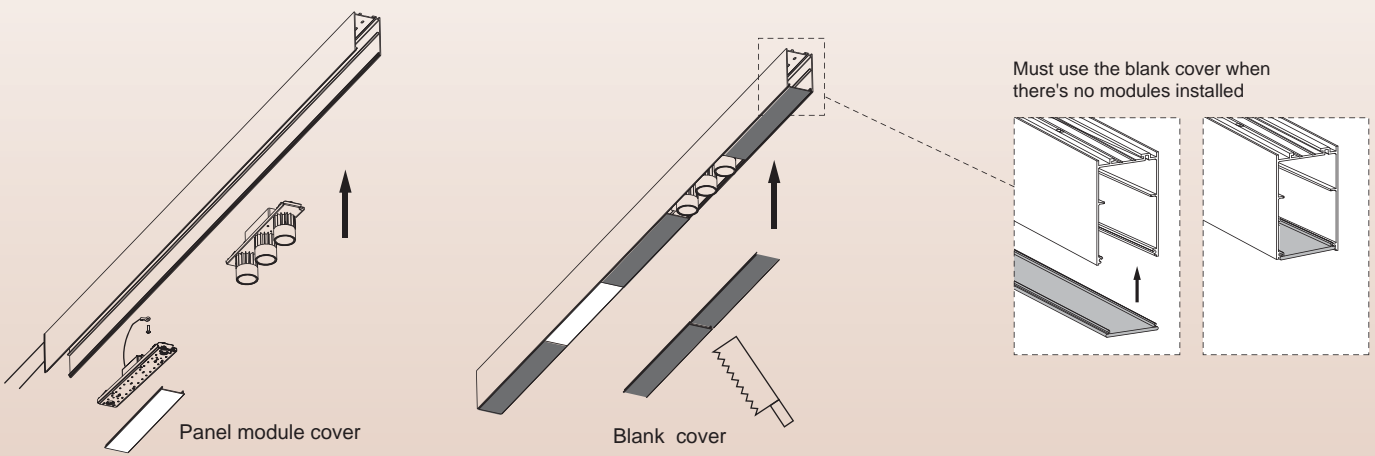
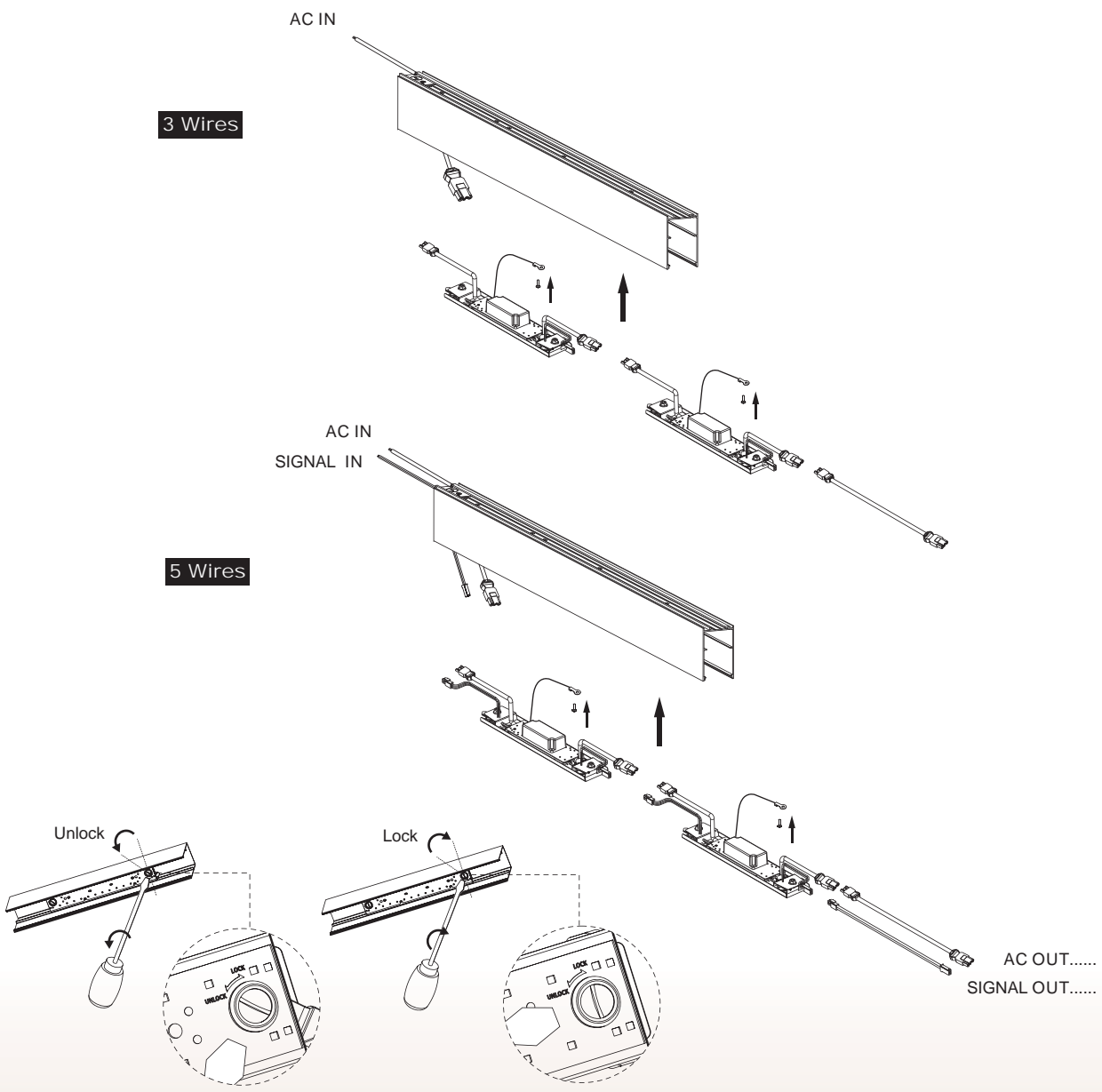
1~10V dimming

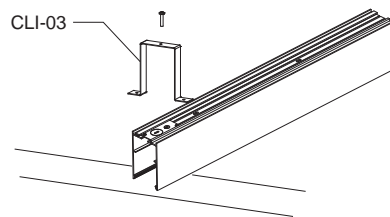
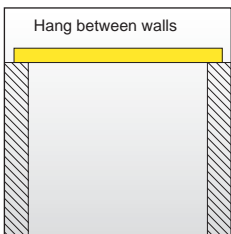
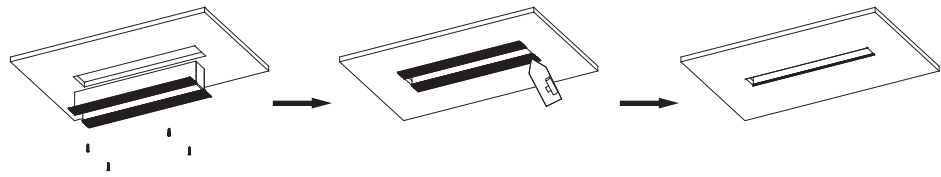
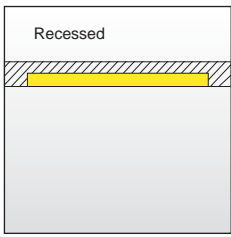
5 Wires



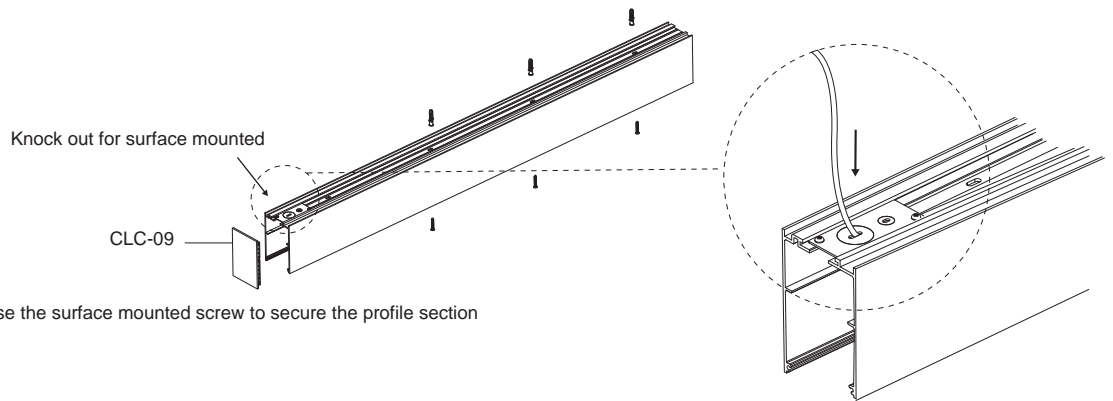
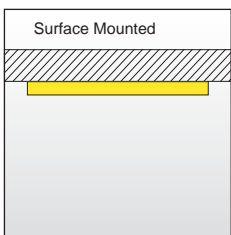
Placing the power cords into the profile section (1~10V has 2 more cords), secure the cords with wire clip (CLC-08) cut the wire length to the location of the LED fixture , connect with the fixture , install the LED fixtures in its position , then clip on the cover to hide the blank location.



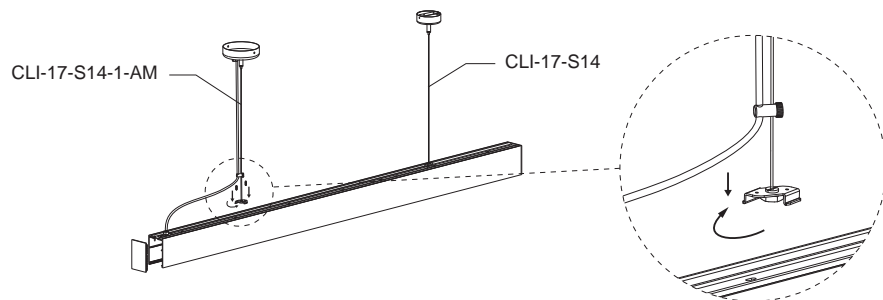
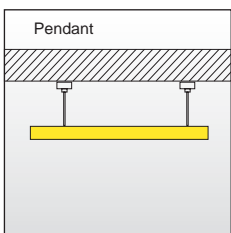




Use the hanging clip (CLI-03) to secure the profile section.



Use the surface mounted screw to secure the profile section

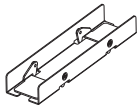


Use the Pendant Kit to secure the profile section.

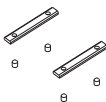
Connections



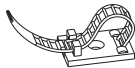
Models : CLC-09
Type : End cap



Models : CLC-07
Type : Surface mounted Pendant type connecting bracket



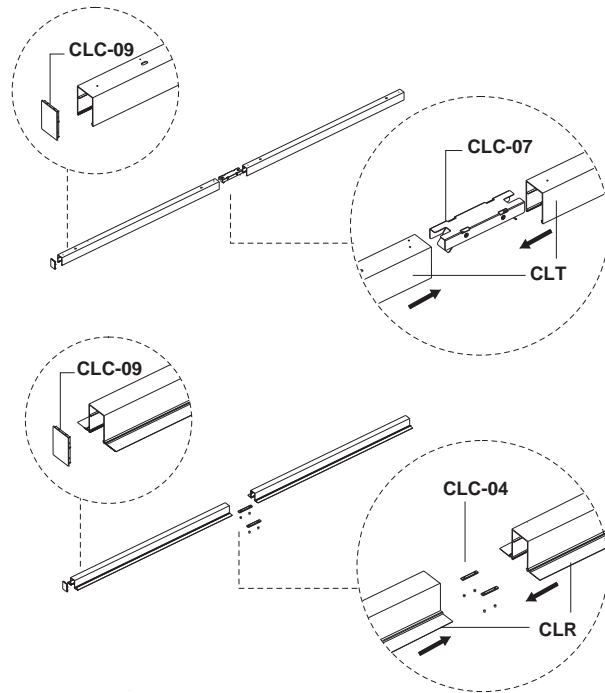
Models : CLC-04
Type : Recessed type connecting bracket



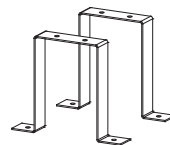
Models : CLC-08
Type : Cable tie



Models : CLD-01
Type : Gear box



Hang between walls

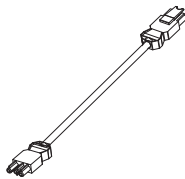


Models : CLI-03
Type : Hanging clip

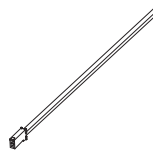
Wires



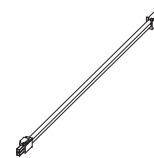
Models : CLC-10A 1000mm
Models : CLC-10B 5000mm
Type : Power cord connect to AC



Models : CLC-11A 1000mm
Models : CLC-11B 5000mm
Type : Power cord connect between modules



Models : CLC-12A 1000mm
Models : CLC-12B 5000mm
Type : Singal wire connect to system / dimmer



Models : CLC-13A 1000mm
Models : CLC-13B 5000mm
Type : Singal wire connect between modules

Pendant



Models : CLI-17-S14-1-AM
Type : Pendant kit with 6ft pendent wire, and 2133mm power cable

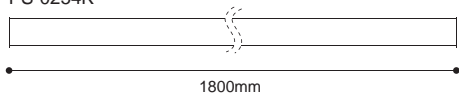


Models : CLI-17-S14
Type : Pendant kit

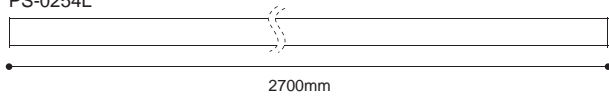


Panel module cover

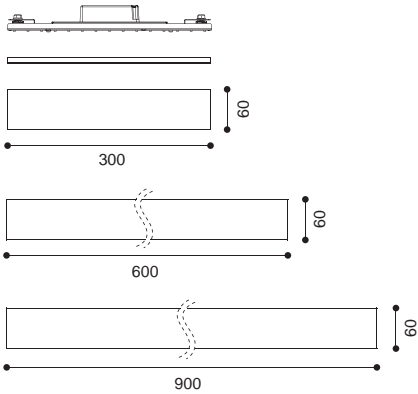
PS-0254K



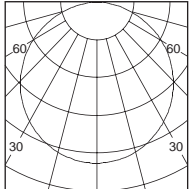
PS-0254L



CHANNEL-P

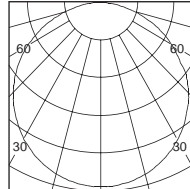


1617.400A



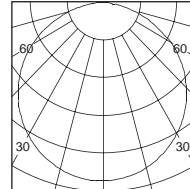
| h (m) | D (m) | E (lx) |
|-------|-------|--------|
| 115° | | |
| 1.0 | 3.05 | 212 |
| 2.0 | 6.11 | 53 |
| 3.0 | 9.17 | 23 |
| 4.0 | 12.23 | 13 |
| 5.0 | 15.29 | 8 |

1617.400B



| h (m) | D (m) | E (lx) |
|-------|-------|--------|
| 115° | | |
| 1.0 | 3.03 | 441 |
| 2.0 | 6.17 | 110 |
| 3.0 | 9.11 | 49 |
| 4.0 | 12.15 | 27 |
| 5.0 | 15.19 | 17 |

1617.400C



| h (m) | D (m) | E (lx) |
|-------|-------|--------|
| 115° | | |
| 1.0 | 3.05 | 659 |
| 2.0 | 6.11 | 164 |
| 3.0 | 9.16 | 73 |
| 4.0 | 12.22 | 41 |
| 5.0 | 15.28 | 26 |

Colours  
Black White

Product performance

CHANNEL-P3

| Article number | LED Consumption | Voltage | System Lumen | Beam Angle | CCT/CRI |
|----------------|-----------------|-------------|--------------|------------|---------|
| 1617.400A | 15W | 100-240V AC | 806 (lm) | 115° | 30/80+ |
| 1617.400A-V | 15W | 100-240V AC | 806 (lm) | 115° | 30/80+ |

CHANNEL-P6

| Article number | LED Consumption | Voltage | System Lumen | Beam Angle | CCT/CRI |
|----------------|-----------------|-------------|--------------|------------|---------|
| 1617.400B | 30W | 100-240V AC | 1612 (lm) | 115° | 30/80+ |
| 1617.400B-V | 30W | 100-240V AC | 1612 (lm) | 115° | 30/80+ |

CHANNEL-P9

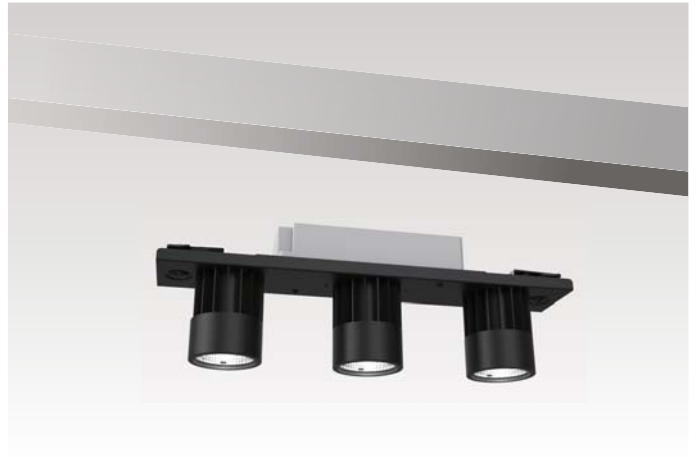
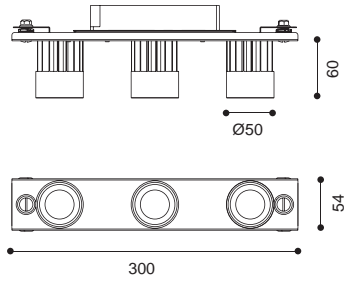
| Article number | LED Consumption | Voltage | System Lumen | Beam Angle | CCT/CRI |
|----------------|-----------------|-------------|--------------|------------|---------|
| 1617.400C | 45W | 100-240V AC | 2418 (lm) | 115° | 30/80+ |

-V Mean dimmable 1-10V

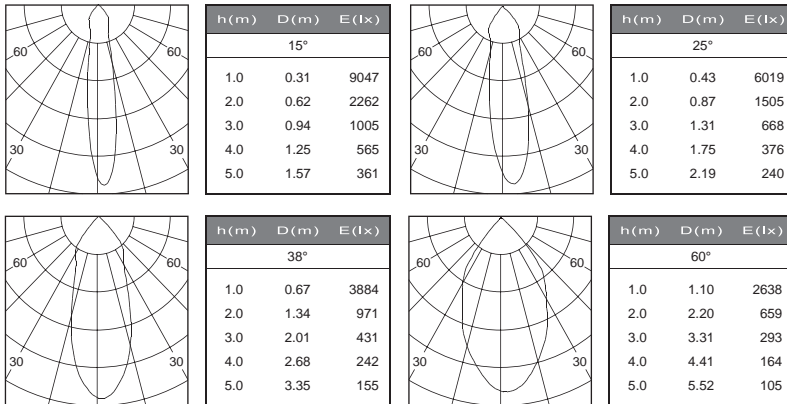




CHANNEL-G



1617.402



Colours Black White

Product performance

| Article number | LED Consumption | Voltage | Lumen | Beam Angle | CCT/CRI |
|----------------|-----------------|-------------|------------|-----------------|---------|
| 1617.402 | 8.1W X3 | 100-240V AC | 973 (lm)X3 | 15°/25°/38°/60° | 30/90+ |
| 1617.402-V | 8.1W X3 | 100-240V AC | 973 (lm)X3 | 15°/25°/38°/60° | 30/90+ |

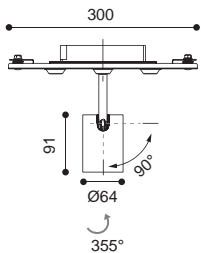
-V Mean dimmable 1-10V



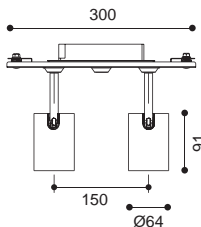


CHANNEL-S

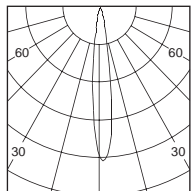
CHANNEL-S1



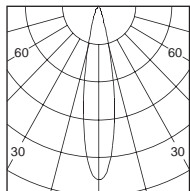
CHANNEL-S2



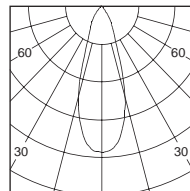
1617.403A



| h (m) | D (m) | E (lx) |
|-------|-------|--------|
| 10° | | |
| 1.0 | 0.17 | 8275 |
| 2.0 | 0.34 | 2069 |
| 3.0 | 0.51 | 919 |
| 4.0 | 0.68 | 517 |
| 5.0 | 0.86 | 331 |



| h (m) | D (m) | E (lx) |
|-------|-------|--------|
| 15° | | |
| 1.0 | 0.34 | 4202 |
| 2.0 | 0.68 | 1051 |
| 3.0 | 1.02 | 466 |
| 4.0 | 1.36 | 262 |
| 5.0 | 1.70 | 168 |



| h (m) | D (m) | E (lx) |
|-------|-------|--------|
| 30° | | |
| 1.0 | 0.58 | 1560 |
| 2.0 | 1.16 | 389 |
| 3.0 | 1.74 | 173 |
| 4.0 | 2.32 | 97 |
| 5.0 | 2.91 | 62 |

Colours
Black White

Product performance

CHANNEL-S1

| Article number | LED Consumption | Voltage | Lumen | Beam Angle | CCT/CRI |
|----------------|-----------------|-------------|-------------|-------------|---------|
| 1617.403A | 12.8W X1 | 100-240V AC | 1387 (lm)X1 | 10°/15°/30° | 30/90+ |
| 1617.403A-V | 12.8W X1 | 100-240V AC | 1387 (lm)X1 | 10°/15°/30° | 30/90+ |

CHANNEL-S2

| Article number | LED Consumption | Voltage | Lumen | Beam Angle | CCT/CRI |
|----------------|-----------------|-------------|-------------|-------------|---------|
| 1617.403B | 12.8W X2 | 100-240V AC | 1387 (lm)X2 | 10°/15°/30° | 30/90+ |
| 1617.403B-V | 12.8W X2 | 100-240V AC | 1387 (lm)X2 | 10°/15°/30° | 30/90+ |

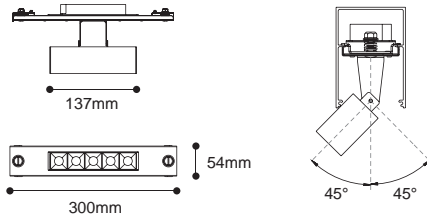
-V Mean dimmable 1-10V



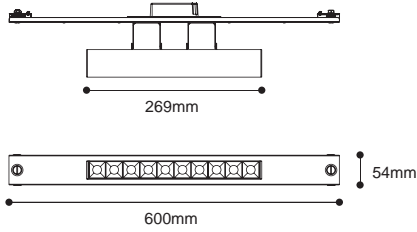


CHANNEL-K

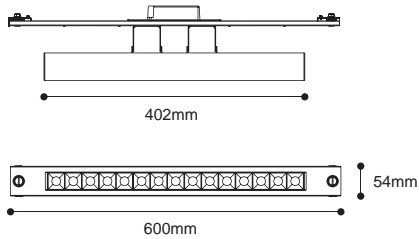
CHANNEL-K5



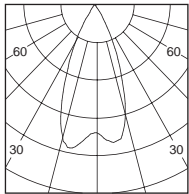
CHANNEL-K10



CHANNEL-K15

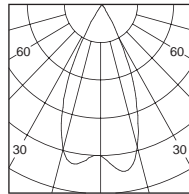


1617.404-5



| h (m) | D (m) | E (lx) |
|-------|-------|--------|
| 40° | | |
| 1.0 | 0.80 | 1543 |
| 2.0 | 1.60 | 385 |
| 3.0 | 2.40 | 171 |
| 4.0 | 3.20 | 96 |
| 5.0 | 4.00 | 61 |

1617.404-10



| h (m) | D (m) | E (lx) |
|-------|-------|--------|
| 40° | | |
| 1.0 | 0.84 | 3073 |
| 2.0 | 1.69 | 768 |
| 3.0 | 2.54 | 341 |
| 4.0 | 3.39 | 192 |
| 5.0 | 4.24 | 122 |

Colours Black White

Product performance

CHANNEL-K5

| Article number | LED Consumption | Voltage | Lumen | Beam Angle | CCT/CRI |
|----------------|-----------------|-------------|-----------|-------------|---------|
| 1617.404-5 | 11W | 100-240V AC | 1000 (lm) | 15°/30°/40° | 30/90+ |

CHANNEL-K10

| Article number | LED Consumption | Voltage | Lumen | Beam Angle | CCT/CRI |
|----------------|-----------------|-------------|-----------|-------------|---------|
| 1617.404-10 | 22W | 100-240V AC | 2000 (lm) | 15°/30°/40° | 30/90+ |
| 1617.404-10-V | 22W | 100-240V AC | 2000 (lm) | 15°/30°/40° | 30/90+ |

CHANNEL-K15

| Article number | LED Consumption | Voltage | Lumen | Beam Angle | CCT/CRI |
|----------------|-----------------|-------------|-----------|-------------|---------|
| 1617.404-15 | 33W | 100-240V AC | 3000 (lm) | 15°/30°/40° | 30/90+ |
| 1617.404-15-V | 33W | 100-240V AC | 3000 (lm) | 15°/30°/40° | 30/90+ |

-V Mean dimmable 1-10V

