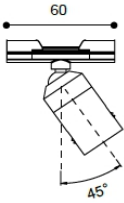
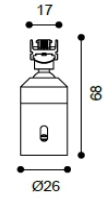
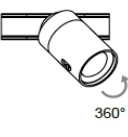


SHUTTLE-S



Product specification

INTERIOR SYSTEM LIGHT	
Installation	system light
Cut out	-
Dimension	D=60x26x63mm

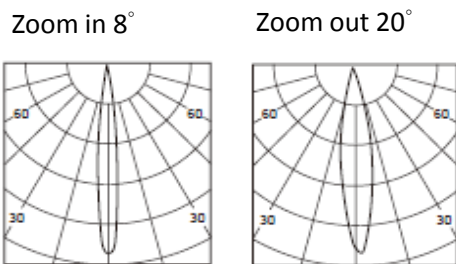
Technical description	
Article number	1619.205
LED Consumption	2.7W
Current	-
CCT	3000K
Lumen *1	-
Øsystem*3	50-70lm
Voltage	24V DC
Beam Angle	8°-20°
CRI	80+
Driver	Remoted, I/P : 90-264V 50/60HZ O/P : 24Vdc

Technical character	
Insulation	CLASS I
Protection	IP 20
Tilt	0~45°
Rotate	0~360°
Operating temperature	-20~40 °C
Average Failure Time	L70(6k) >36000 (h)

Materials	
Luminaire	aluminum extruded
Reflector	LENS
Heat sink	aluminum
Color available	anodized aluminum / Black

Package	
inner box	mm 1 kg
outer box	mm 0 kg / 0 in 1

Photometric



Accessories	
None	

Remarks	
---------	--



*1. LUMEN : for LED chip test result based on Tc=85°C.

This is the ideal (Maximum) lumen. This lumen information is from the LED supplier

*3. LUMEN(Øsystem) (Total FLUX) : this lumen is from luminaire with heat sink, reflector and fixture, this is the real lumen with the loss because of different design of reflectors and fixtures.