

## CHANNEL-P



## Product specification

INTERIOR RECESSED DOWN LIGHT	
<b>Installation</b>	Track light
<b>Cut out</b>	
<b>Dimension</b>	60X300mm 60X600mm

Technical description		
<b>Article number</b>	1617.400A-V	1617.400B-V
<b>LED Consumption</b>	15W	30W
<b>Current</b>	-	-
<b>CCT</b>	3000K	3000K
<b>Lumen *1</b>	-	-
<b>Øsystem<sup>*3</sup></b>	806 (lm)	1612 (lm)
<b>Voltage</b>	100-240V AC	
<b>Reflector</b>	115°	
<b>CRI</b>	80+	
<b>Driver</b>		

Technical character	
<b>Insulation</b>	CLASS I
<b>Protection</b>	IP 20
<b>Tilt</b>	-
<b>Rotate</b>	-
<b>Operating temperature</b>	-20~40 °C
<b>Average Failure Time</b>	L70(6k) >36000 (h)

Materials	
<b>Luminaire</b>	steel
<b>Reflector</b>	-
<b>Heat sink</b>	steel
<b>Color available</b>	white / black

## Package

<b>inner box</b>	mm 1 kg
<b>outer box</b>	mm 0 kg / 0 in 1

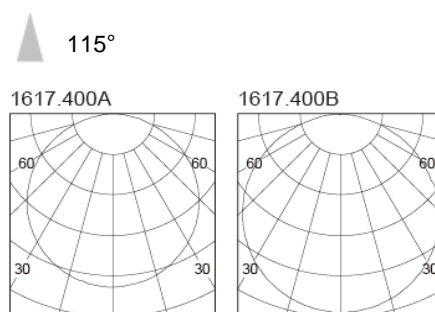
## Accessories

None

## Remarks



## Photometric



\*1. LUMEN : for LED chip test result based on Tc=85°C.

This is the ideal (Maximum) lumen. This lumen information is from the LED supplier

\*3. LUMEN(Øsystem) (Total FLUX) : this lumen is from luminaire with heat sink, reflector and fixture, this is the real lumen with the loss because of different design of reflectors and fixtures.