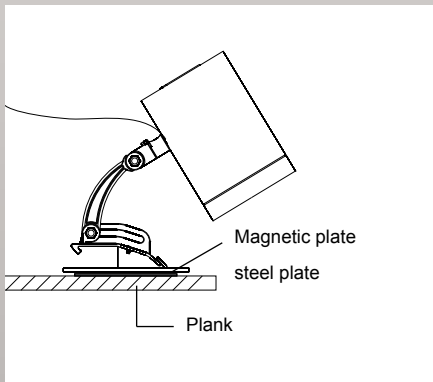




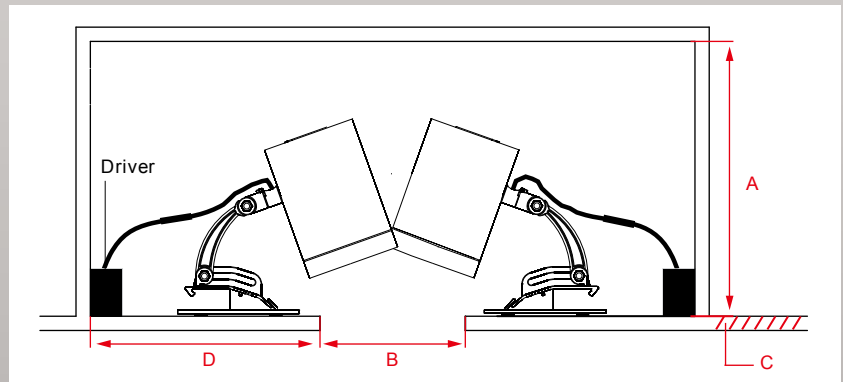
MAGNET

Easy installation by using magnets to save time.
Can be mounted on steel plate by magnet, no additional mounting rails is needed.

Assembling diagram :



Fixtures can be mounted on steel plate by magnet.

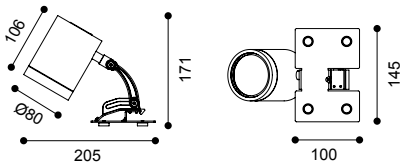


SERIES	A	B	C	D	(mm)
NET-80-II	Minimum.300	Minimum.140	10-20	Minimum.170	
NET-64-II	Minimum.300	Minimum.100	10-20	Minimum.170	



Article number	1519.206
LED Consumption	25.5W
Current	700 (mA)
Lumen	2670 (lm)
Beam Angle	12°/24°/40°
CCT	3000K
CRI	90+

Colours ●
Black



Article number	1519.266
LED Consumption	12.8W
Current	350 (mA)
Lumen	1387 (lm)
Beam Angle	20°/40°
CCT	3000K
CRI	90+

Article number	1519.266.5ZZB
Lamp	LED GU10
Lampholder	GU10
LED Consumption	max.7W
Voltage	200-230 (V AC)

Article number	1519.266.5ZZA
Lamp	LED MR16
Lampholder	GU5.3
LED Consumption	6.5W
Voltage	12 (V AC)

Colours ●
Black

