



SLIMDUET (AM) system

SLIMDUET (AM)

Ultimate slim, perfect style

Innovative slim linear connecting system, a perfect combination between tracks and LED fixtures.

Not only emphasizing on characteristics and rapid installation of the modules, also creates simple and clean appearance.

Unique designed spot, panel and downlight modules are available for multitasking lighting requirement to the area.

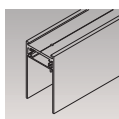
This is a perfect solution to maximize lighting creativity.



ETL Approved

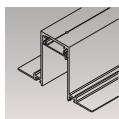
SLIMDUET (AM)

SLIMDUET TRACK



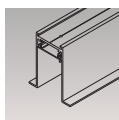
SDT

Surface mounted & Pendant track



SDR

Trimless recessed track



SDF

Trim recessed track

SLIMDUJET MODULES

		Series name	LED Consumption	Lumen
		SLIMDUJET-K	11W 22W 33W	699 (lm) 1475 (lm) 2188 (lm)
		SLIMDUJET-P	9.2W 18.4W 27.5W	531 (lm) 1151 (lm) 1428 (lm)
		SLIMDUJET-W	11W	462 (lm)
		SLIMDUJET-S	6.4W 12.7W	626 (lm) 1114 (lm)
		SLIMDUJET-GR	4.6W	180 (lm)
		SLIMDUJET-GL	4.6W	375 (lm)
		SLIMDUJET-C	6.4W	626 (lm)
		SLIMDUJET-KC	22W	1417 (lm)
		SLIMDUJET-KS	11W	1000 (lm)

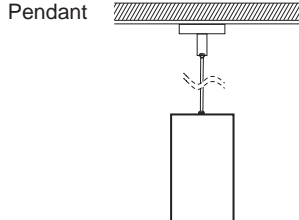
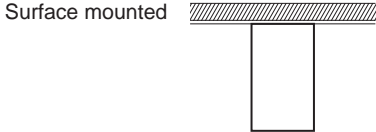
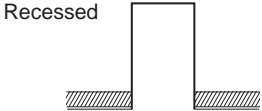
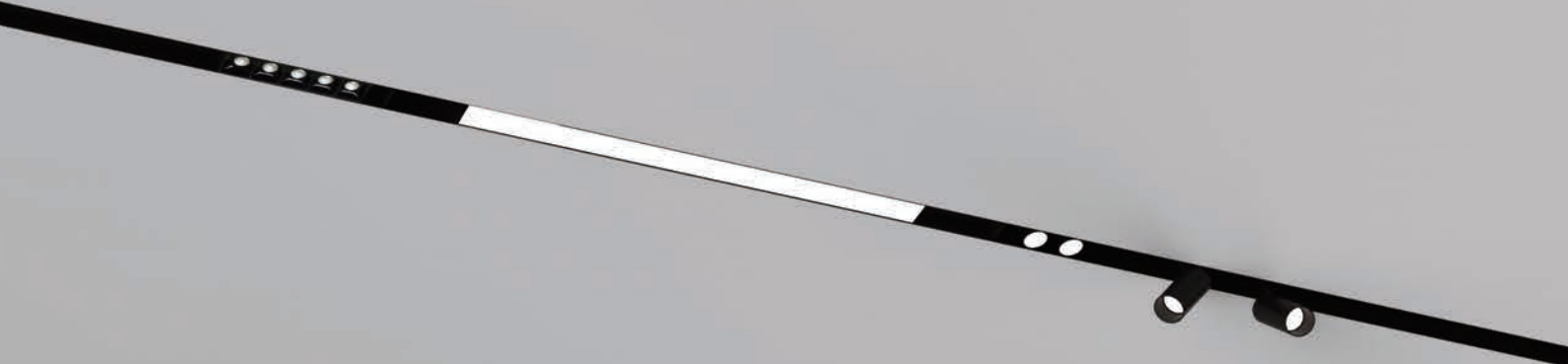


SLIMDUET (AM)

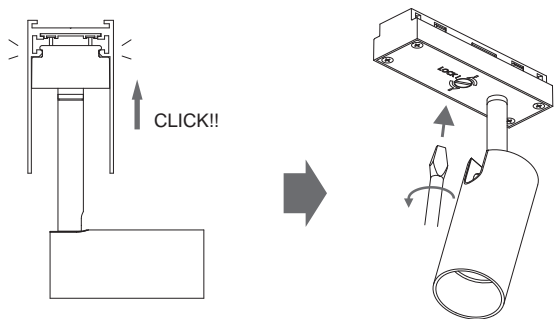
Slim linear connecting system, can be recessed, surface mounted or pendant. Suitable for all kinds of interior environment.

The LED modules are designed with simple linear style, each series perform its own function, making lighting design easier than ever.

SLIMDUJET (AM)



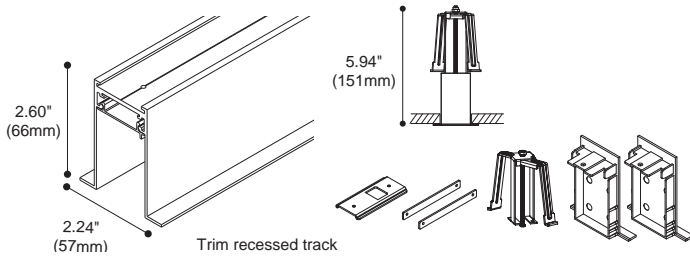
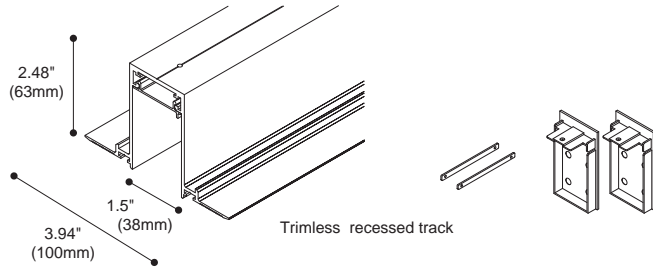
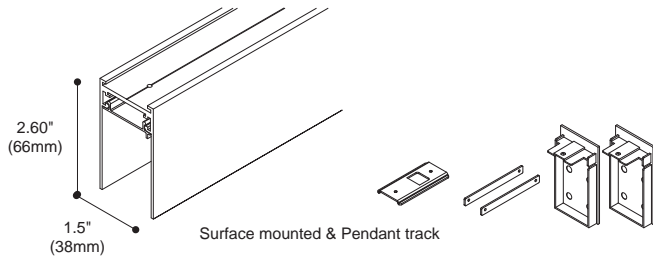
SLIMDUET (AM)



LED fixture installation is designed to be simple and convenient, just plug and play, tools-free, significant savings on installation and maintenance.

The track cover can be moved or cut to fit with the LED fixture to make overall appearance succinct.

Track section



Product performance

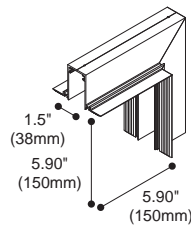
Article number	L
SDT-10-36	35.98"(914mm)
SDT-10-72	71.97"(1828mm)
SDT-10-96	95.98"(2438mm)

Article number	L
SDR-10-36	35.98"(914mm)
SDR-10-72	71.97"(1828mm)
SDR-10-96	95.98"(2438mm)

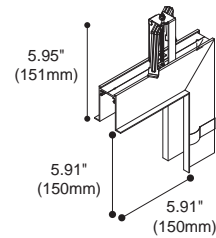
Article number	L
SDF-15-36	35.98"(914mm)
SDF-15-72	71.97"(1828mm)
SDF-15-96	95.98"(2438mm)

Colours  
Black White

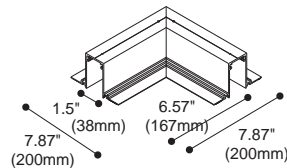
Accessories



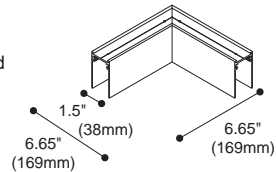
Article number: SDR-04
Type : Trimless recessed vertical corner



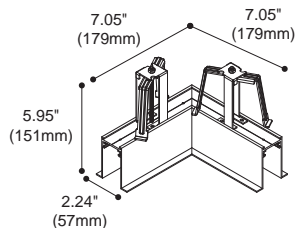
Article number: SDF-04
Type : Trim recessed vertical corner



Article number : SDR-05
Type : Trimless recessed horizontal corner



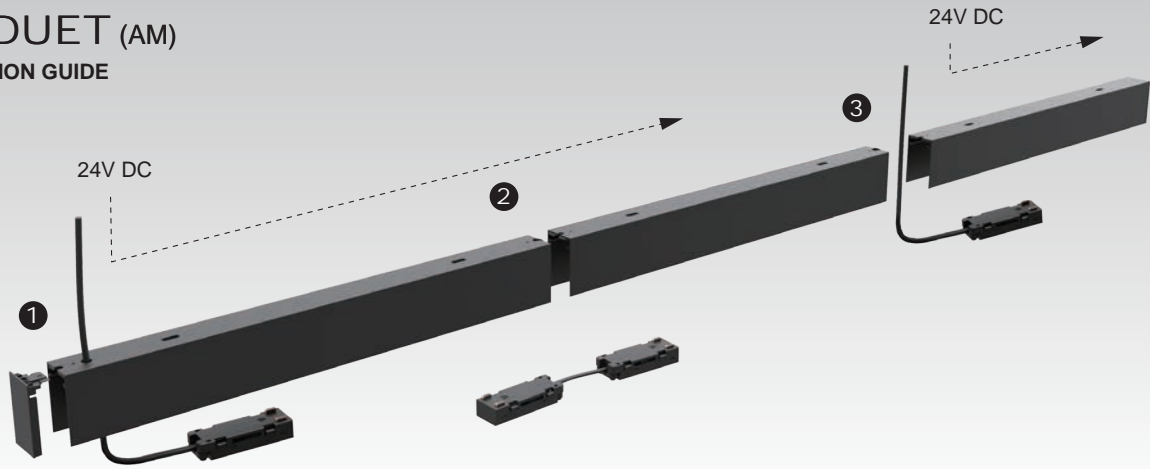
Article number : SDT-05
Type : Surface mounted & pendant horizontal corner



Article number : SDF-12
Type : Trim recessed horizontal corner

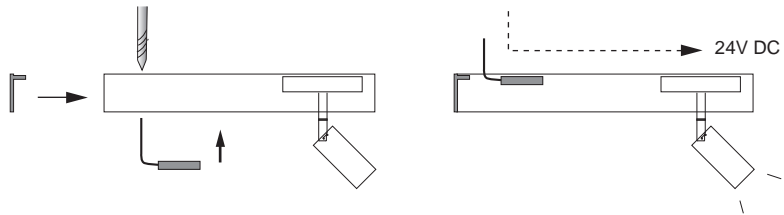
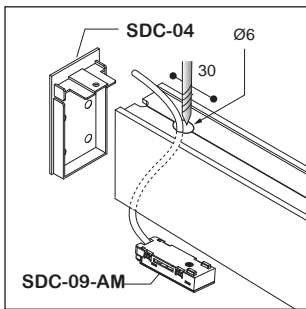
SLIMDUET (AM)

INSTALLATION GUIDE

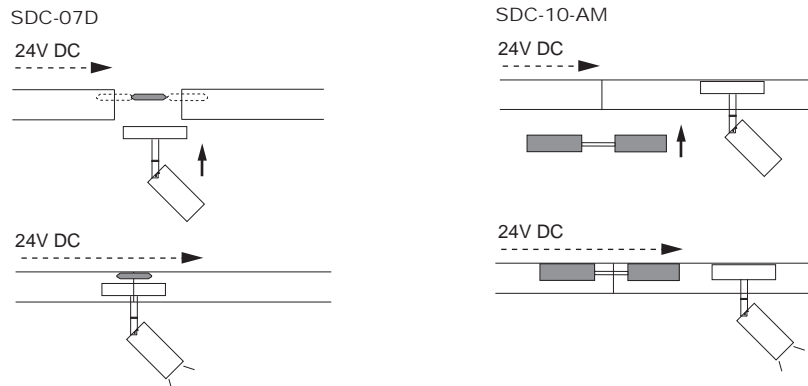
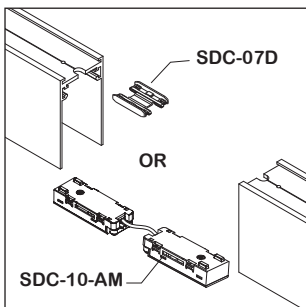


APPLICATION –
connecting power in different conditions for continuous connection

1 Single Power, Single Track

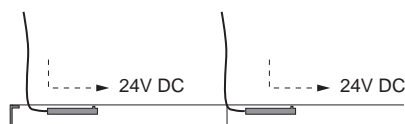
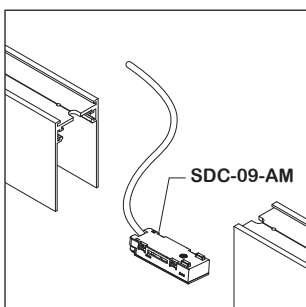


2 Single Power, Multiple Tracks



Using circuit joint (SDC-07D or SDC-10-AM) to connect between tracks

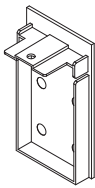
3 Multiple Powers, Multiple Tracks



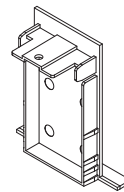
Using power joint (SDC-09-AM) to connect more drivers

ACCESSORIES

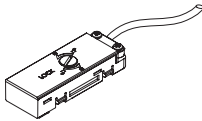
Connections



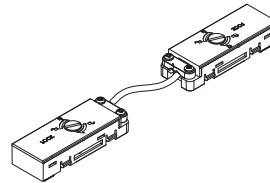
Article number : SDC-04
Type : Surface mounted & pendant
& trimless recessed end cap
without power cord



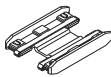
Article number : SDC-04A
Type : Trim recessed end cap
without power cord



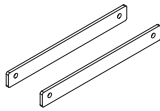
Article number : SDC-09-AM
Type : Power joint
Length : 200cm



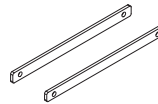
Article number : SDC-10-AM
Type : Circuit joint



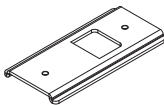
Article number : SDC-07D
Type : New circuit joint



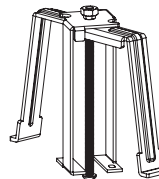
Article number : SDC-05
Type : Trim recessed & surface
mounted reinforced joint



Article number : SDC-05A
Type : Trimless recessed
reinforced joint

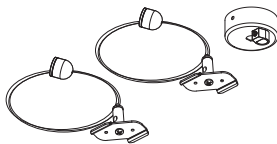


Article number : SDC-06
Type : Surface mounted & Pendant
reinforced plate

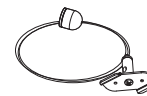


Article number : SDI-10
Type : Trim recessed clip

Pendant



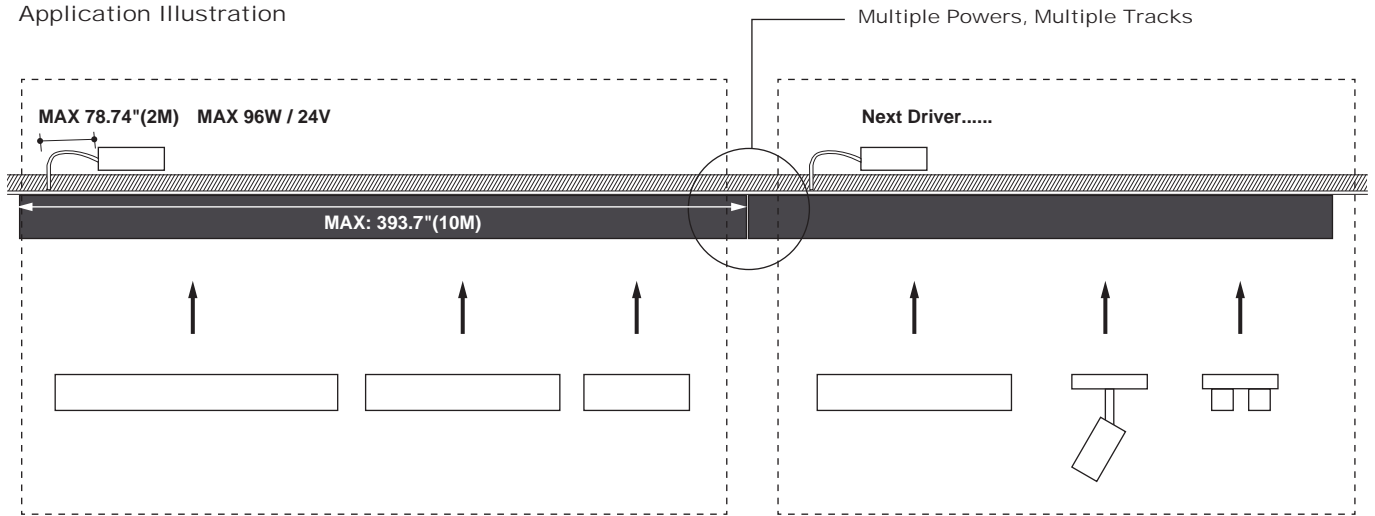
Article number : SDI-05
Type : Pendant kit for power connection
without power cord
Length : 150cm



Article number : SDI-06
Type : Pendant kit without
power cord
Length : 150cm

SLIMDUET (AM)

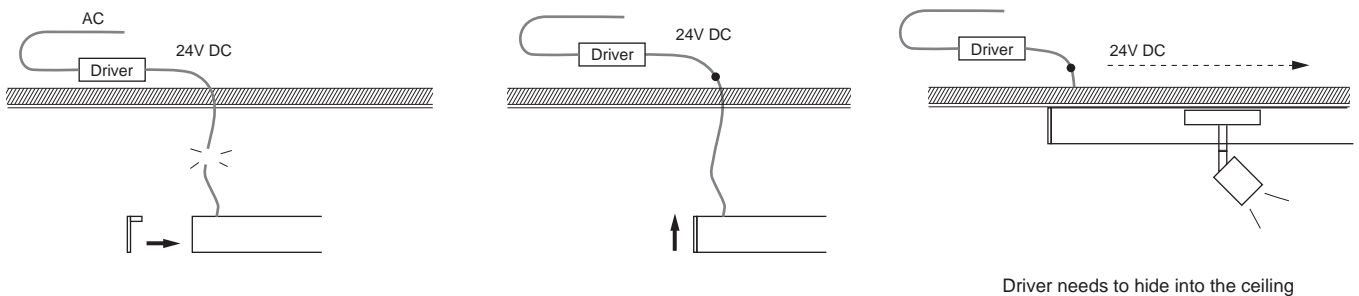
Application Illustration



NOTE:

1. Max wattage linkable per loop for 24VDC is 96W.
2. Max length of track linkable per loop is 393.7"(10M), and the max cable length between driver and track is 78.74"(2M).
3. Dimming modules are compatible to PWM dimming driver only, PWM frequency $\leq 1.47\text{KHz}$.
4. To use drivers not on recommended list , it require compatibility test before installation.
5. Tracks allows continuous linkable without limitation, also can divide into sections to light up individual area, making lighting application easy as 123.
6. Minimum voltage per loop is 22VDC (measure at the end of the loop), under 22VDC per loop might cause abnormal.
7. Calculating max wattage connection, save 20% buffer for linear modules, and 25% buffer for other modules.
8. Use driver not in the recommended list might cause module flickering, unstable dimming and/or noise, even causing module failure.
9. When multiple drivers are use in the connection, make sure the connector without circuit is used to divide the loop.
10. When installation tracks (pipes), make sure measuring the voltage from SDC-09-AM / SDC-10-AM with the driver connected first, without modules, to see if the voltage is 24VDC, then measure the track & SDC-09-AM / SDC-10-AM to see if the voltage drop is $\leq 0.1\text{V}$, if the voltage drop is over 0.1V, make sure the connector is secured properly, warpage is not allowed in the connection, also check the cleanliness of the copper connector, copper connector can be cleaned using alcohol.
11. Use only with class 2 power unit.

Driver Installation





LD100L-VU42024-58
Type: Driver
I/P: 100 - 240VAC
O/P: 0-4.2A / 24V / 100W
Dimming: non dimmable
CE / UL



KVE-24096-TMWJ-BA
Type: Driver with gear box
I/P: 100 - 277VAC
O/P: 4A / 24V / 96W
Dimming: Triac/Phase, 0/1-10V, Potentiometer
CE / UL / FCC



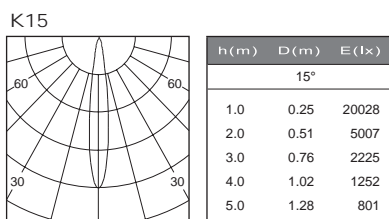
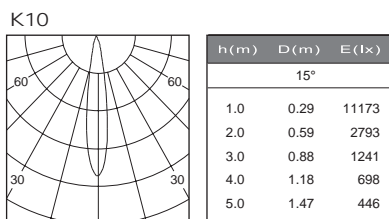
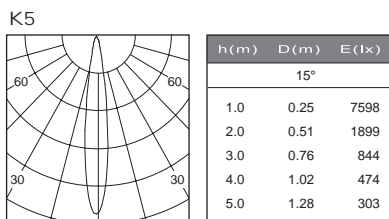
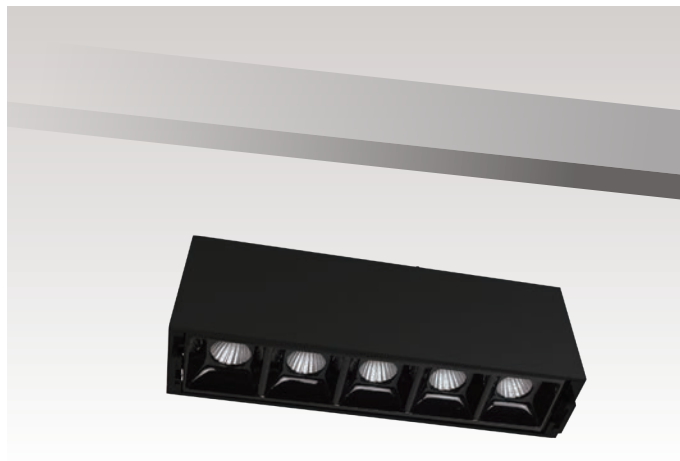
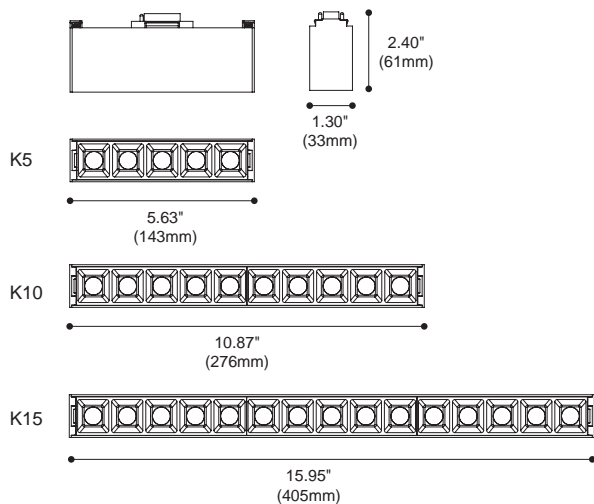


SLIMDUET (AM)





SLIMDUET-K



- Colours Black White
- Baffle : Black White Piano black

Product performance

SLIMDUET-K5

Article number	LED Consumption	Voltage	Delivered Lumen	Beam Angle	CCT/CRI	Locking Type
1817.406A-V	11W	24VDC	699 (lm)	15°/30°/40°	30/90+	Push

SLIMDUET-K10

Article number	LED Consumption	Voltage	Delivered Lumen	Beam Angle	CCT/CRI	Locking Type
1817.406B-V	22W	24VDC	1475 (lm)	15°/30°/40°	30/90+	Push

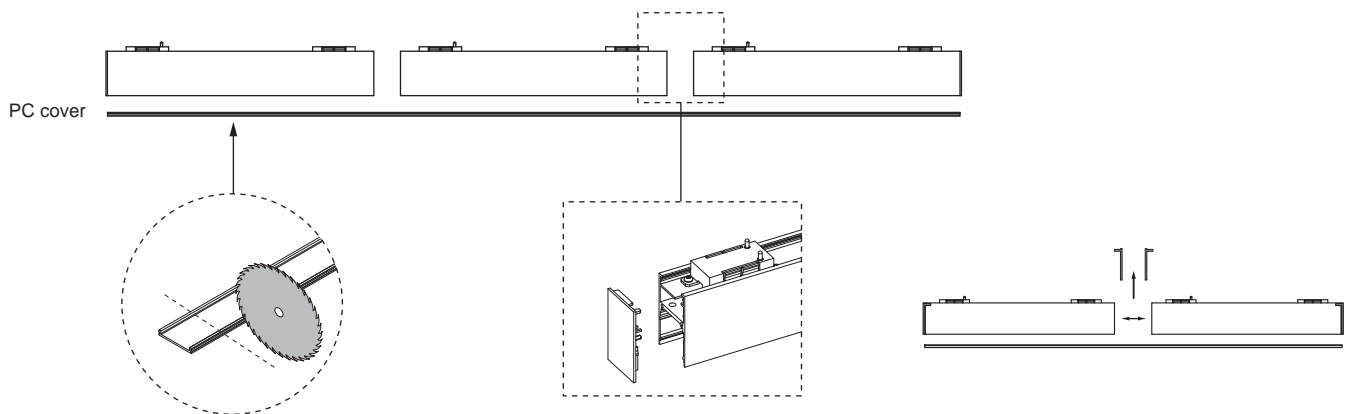
SLIMDUET-K15

Article number	LED Consumption	Voltage	Delivered Lumen	Beam Angle	CCT/CRI	Locking Type
1817.406C-V	33W	24VDC	2188 (lm)	15°/30°/40°	30/90+	Push



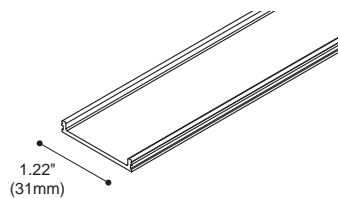


SLIMDUET-P Seamless Installation



PC cover can be cut into required length

Remove the end cap from SLIMDUET-P module, the modules can be installed next to each other, then use longer PC cover to make seamless appearance.



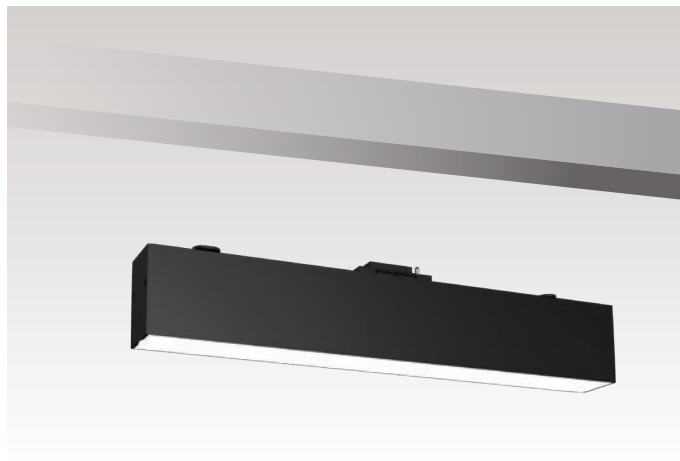
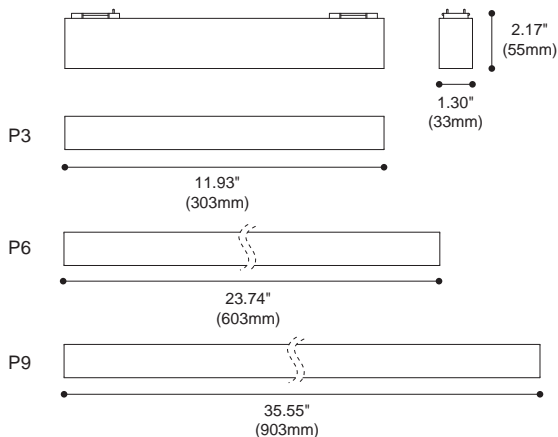
Colours White

Product performance _____

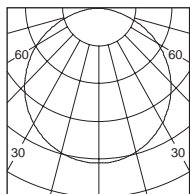
Article number L _____

SDE-01	157.48" (4000mm)
SDE-02	590.55" (15000mm)

SLIMDUET-P

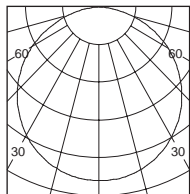


P3



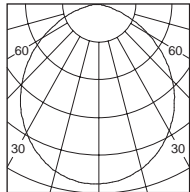
h (m)	D (m)	E (lx)
115°		
1.0	3.01	164
2.0	6.02	41
3.0	9.04	18
4.0	12.05	10
5.0	15.06	6

P6



h (m)	D (m)	E (lx)
115°		
1.0	3.03	415
2.0	6.06	103
3.0	9.09	46
4.0	12.13	25
5.0	15.16	16

P9



h (m)	D (m)	E (lx)
115°		
1.0	2.36	538
2.0	4.73	134
3.0	7.10	59
4.0	9.47	33
5.0	11.84	21

Colours  
Black White

Product performance

SLIMDUET-P3

Article number	LED Consumption	Voltage	Delivered Lumen	Beam Angle	CCT/CRI	Locking Type
1817.410A-V	9.2W	24VDC	531 (lm)	115°	30/80+	Twist

SLIMDUET-P6

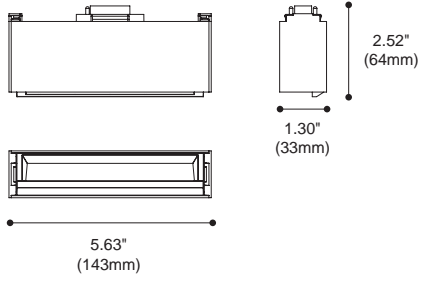
Article number	LED Consumption	Voltage	Delivered Lumen	Beam Angle	CCT/CRI	Locking Type
1817.410B-V	18.4W	24VDC	1151 (lm)	115°	30/80+	Twist

SLIMDUET-P9

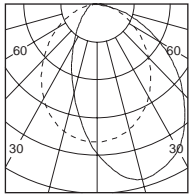
Article number	LED Consumption	Voltage	Delivered Lumen	Beam Angle	CCT/CRI	Locking Type
1817.410C-V	27.5W	24VDC	1428 (lm)	115°	30/80+	Twist



SLIMDUET-W



1817.407A-V



h(m)	D(m)	E(lx)
Wallwash		
1.0	1.35	251
2.0	2.71	62
3.0	4.07	27
4.0	5.43	15
5.0	6.79	10

Colours Black White

Baffle : Black

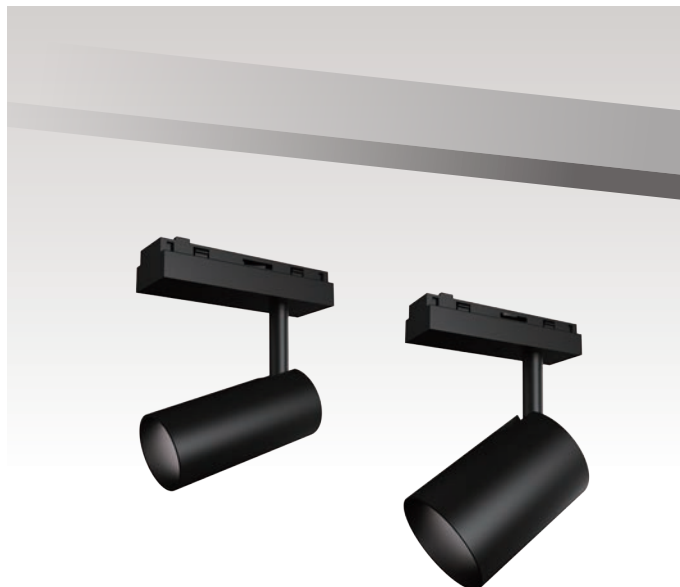
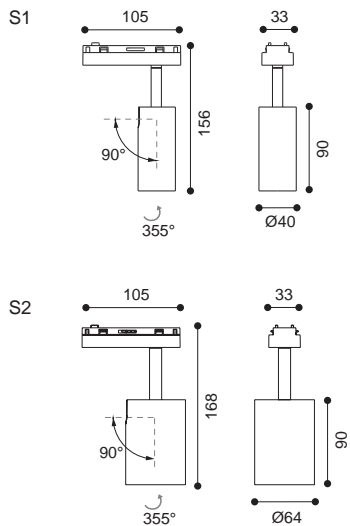
Product performance

Article number	LED Consumption	Voltage	Delivered Lumen	Beam Angle	CCT/CRI	Locking Type
1817.407A-V	11W	24VDC	462 (lm)	Wallwash	30/90+	Push

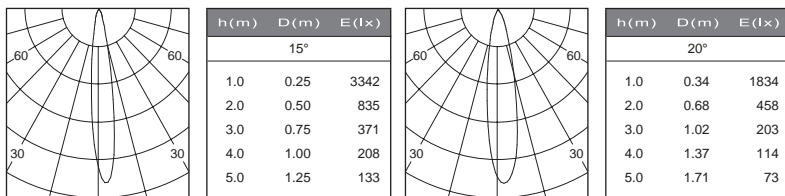




SLIMDUET-S



1617.407-V



- Colours
 Black White
- Baffle :
 Black White Copper

Product performance

SLIMDUET-S1

Article number	LED Consumption	Voltage	Lumen	Beam Angle	CCT/CRI	Locking Type
1617.407-V	6.4W	24V DC	626 (lm)	17°/23°/36°	30/90+	Twist

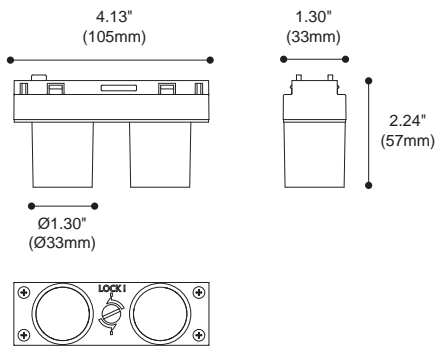
SLIMDUET-S2

Article number	LED Consumption	Voltage	Lumen	Beam Angle	CCT/CRI	Locking Type
1617.411-V	12.7W	24V DC	1114 (lm)	16°/21°/35°	30/90+	Twist

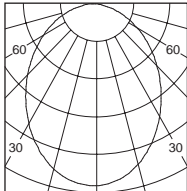




SLIMDUET-GR



1817.401-V



h(m)	D(m)	E(lx)
90°		
1.0	2	96
2.0	4	24
3.0	6	10
4.0	8	6
5.0	10	3

Colours Black White

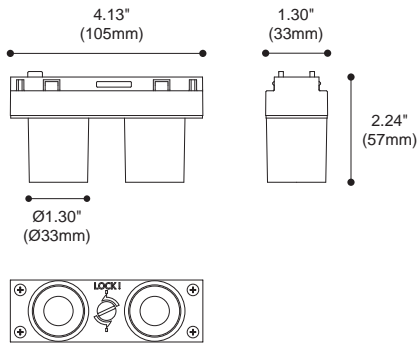
Product performance

Article number	LED Consumption	Voltage	Delivered Lumen	Beam Angle	CCT/CRI	Locking Type
1817.401-V	4.6W	24VDC	180 (lm)	90°	30/90+	Twist

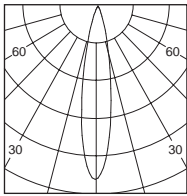




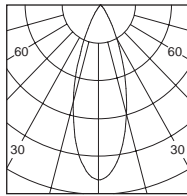
SLIMDUET-GL



1617.409A-V



h(m)	D(m)	E(lx)
19°		
1.0	0.34	2290
2.0	0.68	572
3.0	1.02	254
4.0	1.36	143
5.0	1.70	91



h(m)	D(m)	E(lx)
35°		
1.0	0.62	753
2.0	1.25	188
3.0	1.88	83
4.0	2.51	47
5.0	3.14	30

- Colours: ● Black ○ White
- Baffle: ● Black ○ White ● Piano black

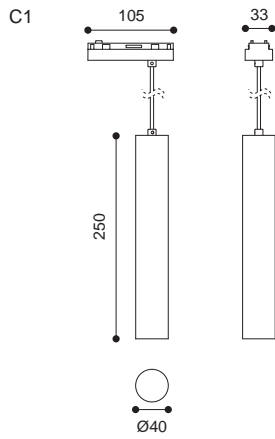
Product performance

Article number	LED Consumption	Voltage	Delivered Lumen	Beam Angle	CCT/CRI	Locking Type
1617.409A-V	4.6W	24VDC	375 (lm)	19°/35°	30/90+	Twist

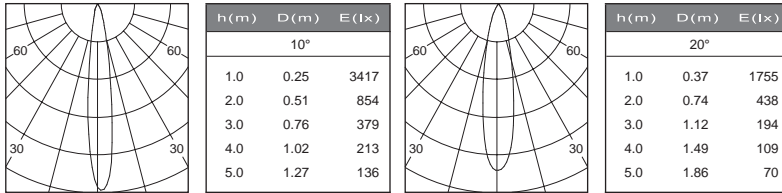




SLIMDUET-C



1617.410



- Colours
 Black White
- Baffle :
 Black White Copper

Product performance

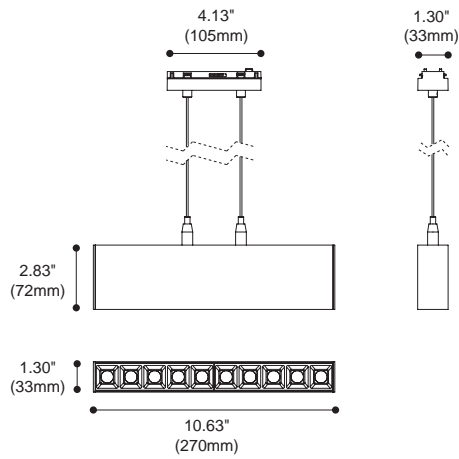
SLIMDUET-C1

Article number	LED Consumption	Voltage	Lumen	Beam Angle	CCT/CRI	Locking Type
1617.410-V	6.4W	24V DC	626 (lm)	10°/ 20°	30/90+	Twist





SLIMDUET-KC



1817.411-V

h (m)	15°		h (m)	25°		h (m)	40°	
	D (m)	E (lx)		D (m)	E (lx)		D (m)	E (lx)
1.0	0.26	12704	1.0	0.40	6526	1.0	0.68	3318
2.0	0.52	3176	2.0	0.81	1632	2.0	1.36	829
3.0	0.78	1412	3.0	1.22	725	3.0	2.04	368
4.0	1.05	794	4.0	1.62	407	4.0	2.72	207
5.0	1.31	508	5.0	2.03	261	5.0	3.40	132

- Colours: Black White
- Baffle: Black White Piano black

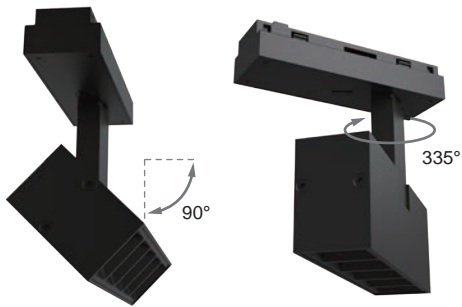
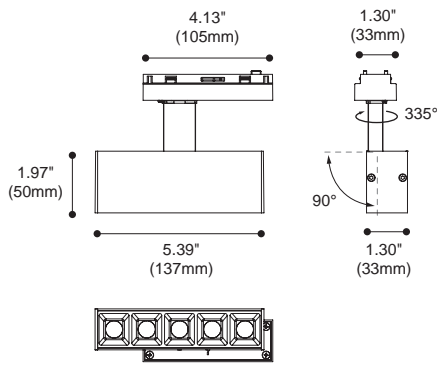
Product performance

Article number	LED Consumption	Voltage	Delivered Lumen	Beam Angle	CCT/CRI	Locking Type
1817.411-V	22W	24VDC	1417 (lm)	15°/25°/40°	30/90+	Twist

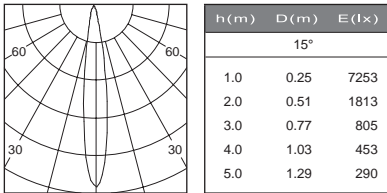




SLIMDUET-KS



1817.413-V



- Colours: ● Black ○ White
- Baffle: ● Black ○ White ● Piano black

Product performance

Article number	LED Consumption	Voltage	Lumen	Beam Angle	CCT/CRI	Locking Type
1817.413-V	11W	24VDC	1000 (lm)	15°/30°/40°	30/90+	Twist

